



Interchangeable  
with Model TH-DVA

**SPEC SHEET**  
**PX80-I**

**\$870**

Model Shown

**PX80 Series**  
**4-20 mA Output**

**0-1 to 0-5,000 psid**  
**0-70 mbar to 0-350 bar**  
**Differential Pressure**

1 bar = 14.5 psi  
1 kg/cm<sup>2</sup> = 14.22 psi  
1 Atmosphere = 14.7 psi = 29.93 in-Hg = 760.2 mm-Hg = 1.014 bar

- Low Differential Pressure at High Line Pressure - up to 6,000 psi**
- FM/CSA Intrinsically Safe**
- All Stainless Steel Construction**
- Hermetically Sealed for Harsh Environments**
- High Overpressure Capability**

The OMEGADYNE™ PX80 Series is a heavy duty, wet-wet, differential pressure transmitter available in ranges from 1 to 5,000 psid. FM and CSA approved for Intrinsically Safe applications is standard. All stainless steel construction and high over pressure protection make the PX80 Series suitable for harsh industrial environments.

**For Sales and Service  
In U.S.A. and Canada**

**1-800-872-3963<sup>SM</sup>**  
**1-800-USA-DYNE**

**International Customers Dial  
(614) 965-9340**  
**24-Hour FAX (614) 965-9438**

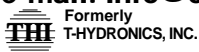
**OMEGADYNE<sup>SM</sup> FAX**

OMEGADYNE's 24-Hour  
On-Line Publishing Service

**1-800-344-3963<sup>SM</sup>**  
**1-800-DIG-DYNE**

Document # 3701

**OMEGADYNE, Inc.**  
149 Stelzer Court, Sunbury, OH 43074  
<http://www.omegadyne.com>  
e-mail: [info@omegadyne.com](mailto:info@omegadyne.com)



© COPYRIGHT 1996 OMEGADYNE, INC. ALL RIGHTS RESERVED.

# INDUSTRIAL WET/WET DIFFERENTIAL PRESSURE TRANSMITTER

Measures Low  
Differentials on  
High Line Pressures

**Model PX80B0-1KDI**  
Shown Smaller Than Actual Size



► **Most Popular Models Highlighted** ◀

Prices Shown in U.S. Dollars

**To Order: (Specify Model Number)**

**Models with 4-20 mA Output**

Range (psid)	Model Number	Price	Compatible Meters
0-1	PX80D[*]-001DI	\$1100	INFP, INFCP, IDP
0-2	PX80D[*]-002DI	1100	INFP, INFCP, IDP
0-4	PX80D[*]-004DI	1100	INFP, INFCP, IDP
0-8	PX80D[*]-008DI	1100	INFP, INFCP, IDP
0-12	PX80D[*]-012DI	1100	INFP, INFCP, IDP
0-20	PX80D[*]-020DI	1100	INFP, INFCP, IDP
0-30	PX80D[*]-030DI	1100	INFP, INFCP, IDP
0-50	PX80D[*]-050DI	1100	INFP, INFCP, IDP
0-100	PX80D[*]-100DI	1045	INFP, INFCP, IDP
0-200	PX80D[*]-200DI	1045	INFP, INFCP, IDP
0-300	PX80D[*]-300DI	1045	INFP, INFCP, IDP
0-500	PX80D[*]-500DI	1045	INFP, INFCP, IDP
0-700	PX80D[*]-700DI	1045	INFP, INFCP, IDP
0-1000	PX80B[*]-1KDI	1045	INFP, INFCP, IDP
0-1500	PX80B[*]-1.5KDI	1045	INFP, INFCP, IDP
0-2000	PX80B[*]-2KDI	1045	INFP, INFCP, IDP
0-2500	PX80B[*]-2.5KDI	1045	INFP, INFCP, IDP
0-3000	PX80B[*]-3KDI	1045	INFP, INFCP, IDP
0-5000	PX80B[*]-5KDI	1045	INFP, INFCP, IDP

Interchangeable with Model TH-DVA

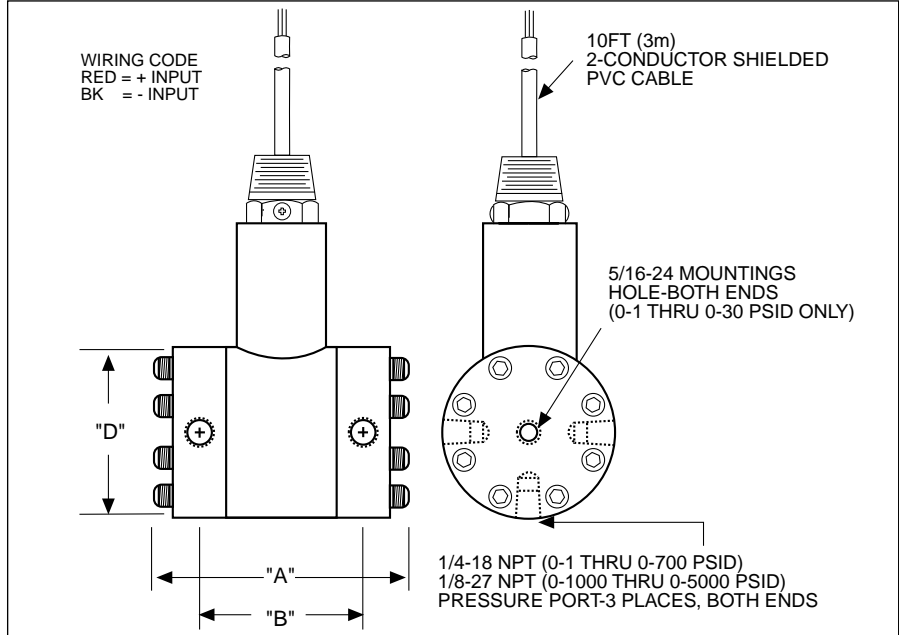
Metric Ranges Available - Consult Engineering

[\*] Insert 0 for 10 ft cable or 1 for Bendix Connector

To order extra cable length, add suffix "(length in feet)FT" to the model number and \$2/ft over 10 ft.

Ordering Examples: 1.) **PX80D0-004DI-25FT** is a 4 psid differential transmitter with a 25 ft cable (7.6m) and 1/8-18 NPT fitting \$1100 + (\$2x15) = **\$1130**.

2.) **PX80B0-1.5KDI** is a 1,500 psid differential transmitter with 10 ft (3m) cable, and a 1/2-27 NPT fitting, **\$1045**.



**SPECIFICATIONS: 4-20 mA Output**

**Electrical:**

**Excitation:** 12-40 Vdc

**Output:** 4-20 mA ±10% adj

**Max Loop Resistance:**

(Input Voltage-12) x 50

**Zero Balance:** 4 mA, +10% -2%

**Agency Approvals:** FM Intrinsically

Safe IS/I.II.III./1/ABCDEFG

Standard

**Performance:**

**Accuracy:** Combined Linearity,

Hysteresis, and Repeatability:

1-30 psid: 0.5%

>30 psid : 0.25%

**Environmental:**

**Operating Temp Range:**

1-30 psid: -34 to +93°C (-30 to +200°F)

>30 psid : -46 to +107°C (-50 to +225°F)

**Compensated Temp Range:**

1-30 psid: -1 to +54°C (+30 to +130°F)

>30 psid : +17 to +71°C (+60 to +160°F)

**Dimensions Shown in Inches (mm)**

Capacity	A	B	D
1 to 30 psid	4.43 (113)	2.69 (68)	3.5 (89)
50 to 700 psid	4.38 (111)	2.94 (75)	3.0 (76)
1000 to 5000 psid	3.0 (76)	2.0 (51)	2.0 (51)

**Thermal Effects: 1-30 psid:** Zero:

.012% of FSO/°F; Span: 0.012% of Rdg/°F

>30 psid: Zero: 0.010% of FSO/°F

Span: 0.005% of Rdg/°F

**Pressure:**

**Ranges (psid):** 1, 2, 4, 8, 12, 20, 30, 50, 100, 200, 300, 500, 700, 1K, 1.5K, 2K, 2.5K, 3K, 5K, (Metric Ranges available)

**Proof Pressure:** 2000 psi or 150%, whichever is greater

**Burst Pressure:** 6000 psi minimum

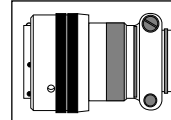
**Line Pressure:** 1500 psi or 150% of range, whichever is greater

**Mechanical:**

**Wetted Parts:** 1-30 psid: 316 Stainless Steel Ranges >30 psid : 17-4 PH SS

**Pressure Port:** 1/4-18 NPTF for 0-1 to 0-700 psi. 1/8-27 NPTF for ≥ 0-1000 psi

**Electrical Connection:** 10 ft (3m) PVC cable or Bendix connector. Optional Screw terminals inside lightning protected amplifier housing.



**Mating Connector PT06F-10-6S, \$26.50**

**CUSTOM CONFIGURATIONS:**

SERIES	PRESSURE PORT	ELECTRICAL CONNECTION	RANGE (PSID)	UNITS	OUTPUT	OPTIONS
PX80	[ 1 ]	[ 2 ]	[ 3 ]	[ 4 ]	[ 5 ]	[ 6 ]
<b>B</b> = 1/8-27 NPT-Female (Ranges ≥1000 psid) <b>D</b> = 1/4-18 NPT-F (no charge) (Ranges ≤700 psid)		<b>0</b> = 10 ft (3m) PVC Cable \$2/ft over 10 ft (3m) <b>1</b> = PT1H-10-6P Connector (or Equal), (no charge). Mating Connector not included order <b>PT06F-10-6S \$26.50</b> <b>5</b> = Lightning Protected Amplifier Housing (no charge)(4-20 mA model only)	001	<b>D</b> = differential pressure <b>mV/V 5V 4-20 mA</b> <b>\$950 \$1100 \$1100</b>	<b>V</b> = mV/V <b>5T</b> = 0-5Vdc <b>I</b> = 4-20 mA	<b>To Order a Custom Configuration:</b> <b>1.</b> Select a Pressure Port <b>2.</b> Select Electrical Connection <b>3.</b> Select a Pressure Range <b>4.</b> Select Pressure Units <b>5.</b> Select Output <b>6.</b> Select Agency Approvals
			002			
			004			
			008			
			012			
			020			
			030			
			050			
			100			
			200			
			300			
			500			
			700			
			1K			
			1.5K			
		2K				
		2.5K				
		3K				
		5K				
				<b>\$895 \$1045 \$1045</b>		

Interchangeable with Model TH-D, TH-DV, TH-DVA

Metric Ranges Available - Consult Engineering

To order extra cable on Cable Style models, add suffix “-(length in feet)FT” and \$2/ft over the standard 10 ft (3m) length.

**Ordering Examples: 1.) PX80B5-1KDI** is a 1000 psid range model with 4-20 mA output and a lightning protected amplifier housing, \$1045.

**2.) PX80D5-001DI-25FT** is a 1 psid range model, 4-20 mA output and 25 ft (7.6m) cable, 1100+30 = \$1130

**3.) PX80D1-200DV** is a 200 psid range model with mV/V output and an integral connector, \$895. Mating Connector (not included)

**PT06F-10-6S, \$26.50. 4.) PX80D1-012D5T** is a 12 psid range model with 0-5 Vdc output and an integral connector \$1100. Mating Connector (not included) **PT06F-10-6S, \$26.50.**